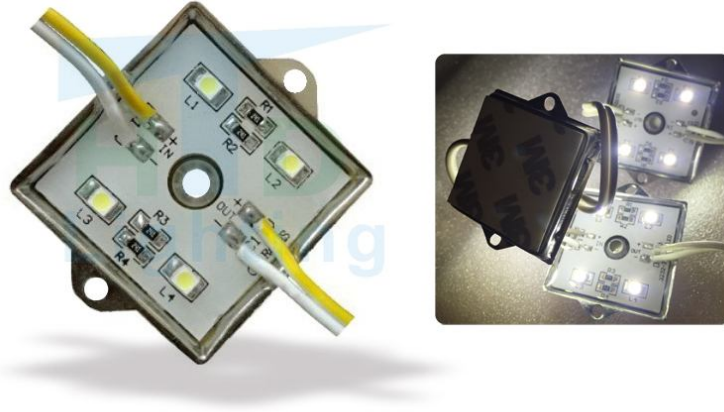


|   |
|---|
| HTD-354A  |
| LED Iron shell Module Light/Powered By SanAn Chip |
| SMD3528 4LED/Waterproof IP65/DC12V                |



**\*HTD-354A iron shell  
3528 4LED module**

### **Features**

1. Adopt TOP 3528 SMD LED, no light spot, with a low lumen recession and good consistency.
2. 3528 modules with a low power consumption and high lumen value, 7-8lm/LED, a long life-span, maintenance-free.
3. With a iron shell technique for outer cover, this unique structure grants a better cooling effect.
4. IP Rate: IP66, waterproof.
5. DC12V low voltage input, reliable and safe.
6. Adopt series-parallel connection circuit, 20/40pcs per string, if 40pcs connect together must be on the each end of string connect DC12V, each module could be singled out.
7. Viewing angle: 120°.
8. 1-2 years warranty.

## Application

This product is applicable for 8-20cm glowing character, advertisement board, light box or local lighting.



## Specification

|                                     |                             |
|-------------------------------------|-----------------------------|
| LED Model                           | HTD-354A SMD3528 LED Module |
| LED Type                            | 3528 SMD LED                |
| LED BRAND                           | <b>Chip from SanAn</b>      |
| Viewing Angle                       | 120°                        |
| Luminous Flux (lm)                  | >28lm                       |
| LED Qty                             | 4pcs                        |
| Life Span                           | 50,000 H                    |
| Working Voltage                     | DC12V                       |
| Consumption                         | 0.72W                       |
| Driving Method                      | CV                          |
| Stand Length In Serial Connection   | 20pcs                       |
| Maximum Length In Serial Connection | ≤40pcs                      |
| Shell                               | Iron                        |
| Dimension                           | L35.8mm*W35.8mm*5mm         |
| Available Color                     | W/WW/CW/R/G/B/Y/P...        |
| Certification                       | CE & ROHS                   |
| Working Temperature                 | -40°C~ +60°C                |
| Store Temperature                   | -50°C~ +70°C                |
| IP Degree                           | IP65                        |

## Package

Every 20pcs per string,5 strings in an anti-static bag,2500 pcs per carton box.

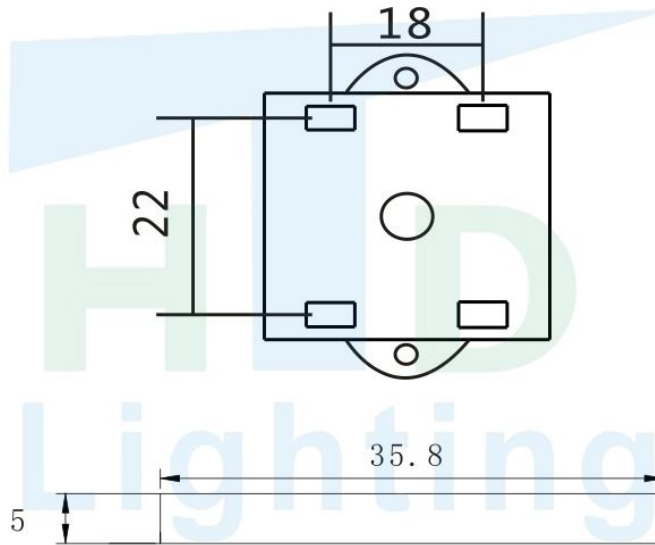
Carton size: 48cm\*48cm\*28cm.

**Net Weight:** 12g/pc; 32.5kg/carton.

\*LED Module/Pixel/Point light source-Package diagram

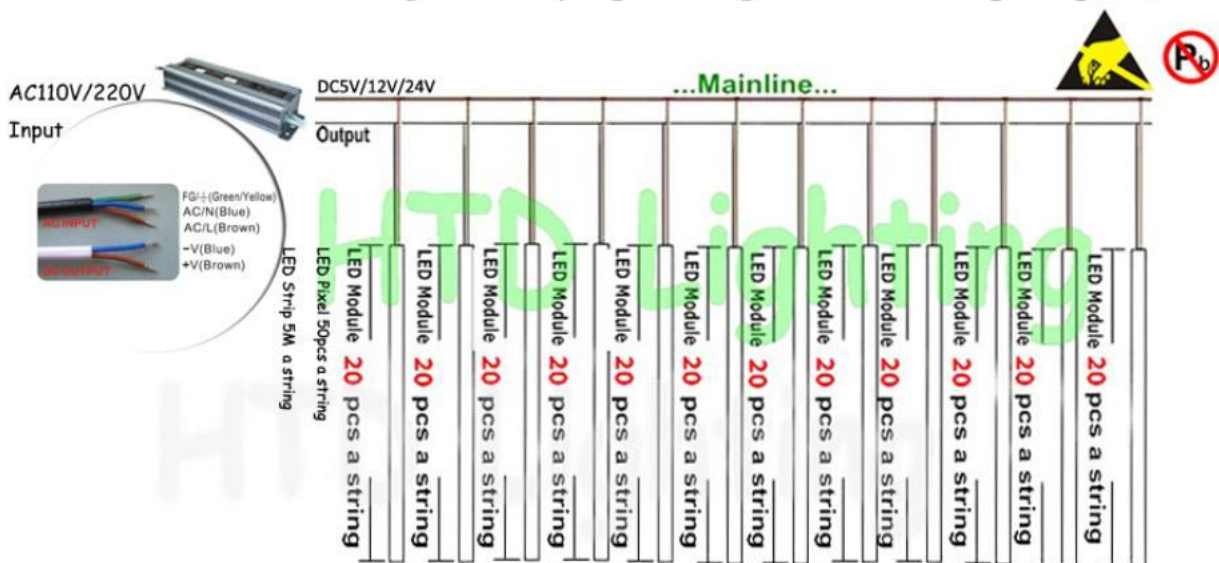


## Dimension Diagram (mm)



## Connection Diagram

\*LED module/Pixel light/Strip light Single color wiring diagram



\*This product the most can tandem connection 20pcs module/50pcs pixel/5M strip, Prohibited beyond tandem connection. The thickness of power should according to actual possible present maximum current, the power of products, wiring length (suggest not exceeding 6M) and low voltage transmission line voltage drop. In measuring power use number of circumstances, should retain 20% of the allowance.

\*(Important) Ensure that both ends connect power, achieve the best use effect. The module MAX 40pcs/string, Pixel MAX 100pcs/string, Strip MAX 10M/String.

