



LED Flexible Strip HTD-RGT-5050-144RGB+W

Description of products:

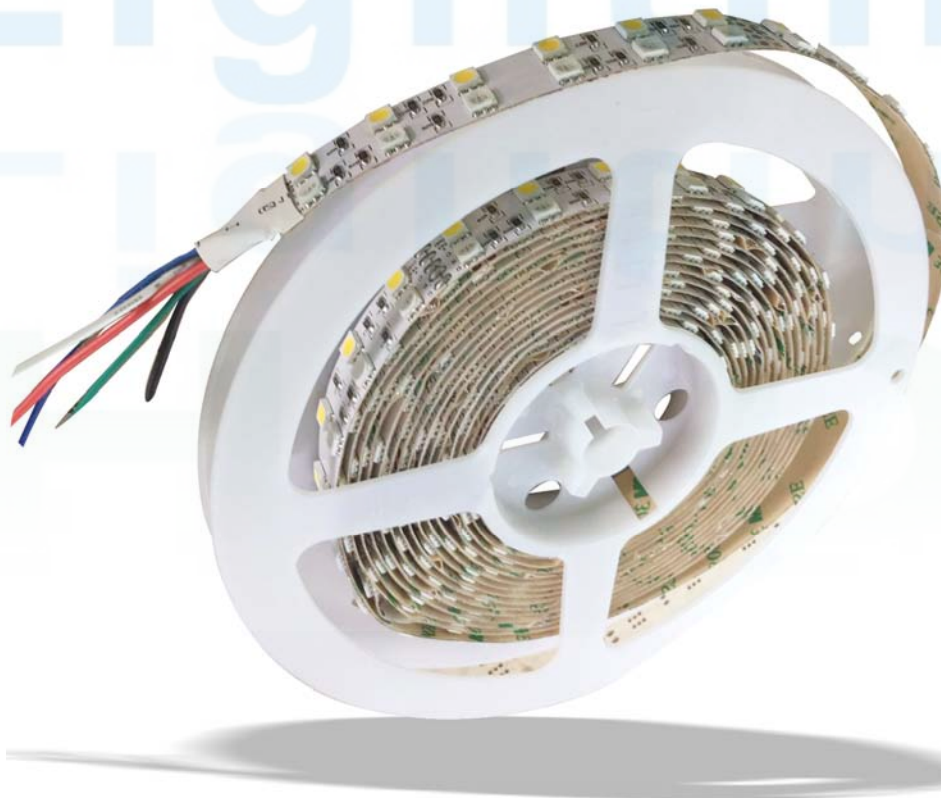
- Constitute by FPC, SMD5050 double row 144LEDs(72RGB+72W) per meter double row and UV resistant silicone resin.
- The LED beam is 125-135° flood lighting, without the shadow, high brightness in 18-20lm/LED, low therm resistance, low light failure, in a poor environment can good work.
- 34.4W/1M, the working voltage is DC12/24V.
- Optional: IP20/IP65/IP68 waterproof level. Warranty optinal 1/2/3/5 years.
- Main applications:
  - Commercial and residential decoration
  - Under-counter lighting
  - Media illumination
  - Large area backlighting
  - Small to medium channel letters
  - Point-of-sale displays
  - Used for Neon or tubes replacement, etc.



- \*Tips:
  - When we computing power should retain 20% of the allowance.
  - Up to 5 Meters strips to use in one parallel. Screw holes on both ends to fixed, convenient and accurate.
  - Both ends connect DC12/24V power if must need 10M a string connect power supply, achieve the best use effect.



Product Chart:

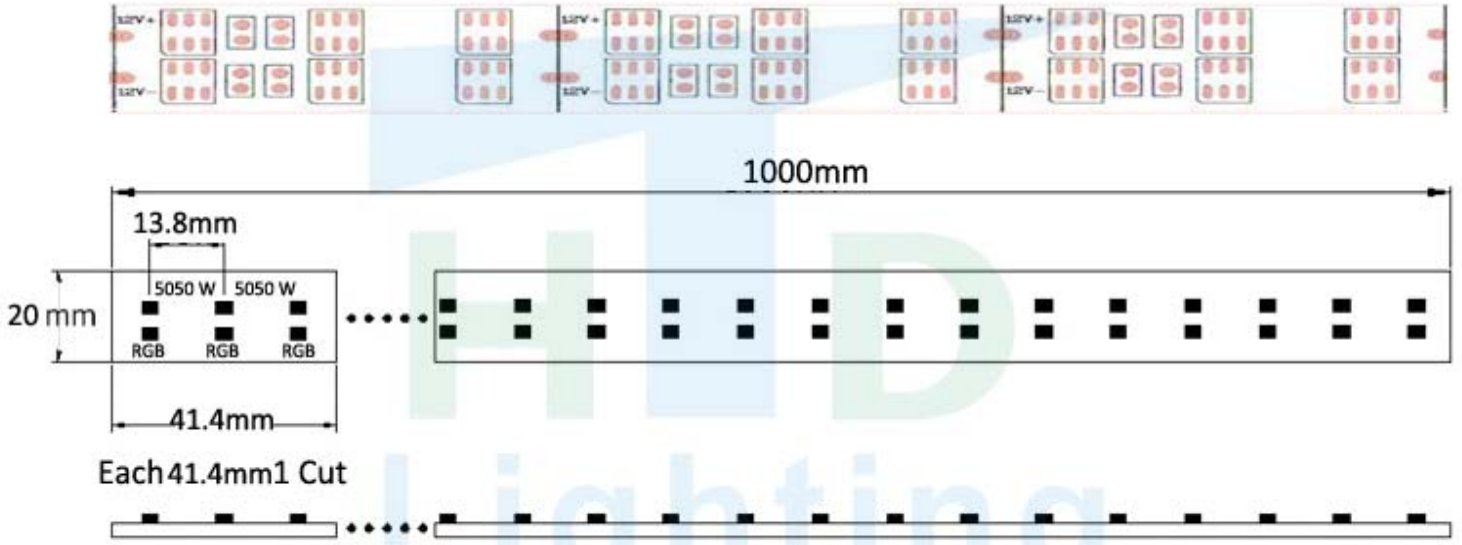




— Concentrate on every lamp —

**LED Flexible Strip HTD-RGT-5050-144RGB+W**

Product Dimension Chart(IP68 width is 12mm):



**\*Note: IP20 Height is 1.5mm/IP65 Height is 2.5mm/IP68 Height is 3.5mm**

Photometric characteristics & Main material:

Item No.	CCT	LED/M quantity	luminous flux (LM)	CRI	LED SPEC	PCB type	Main component
HTD-RGT-5050-144RGB+W	RGB+W	72RGB 72White	18-20lm	>78-80	5050SMD	Flexible FPC	FPC+LED

Basic parameters:

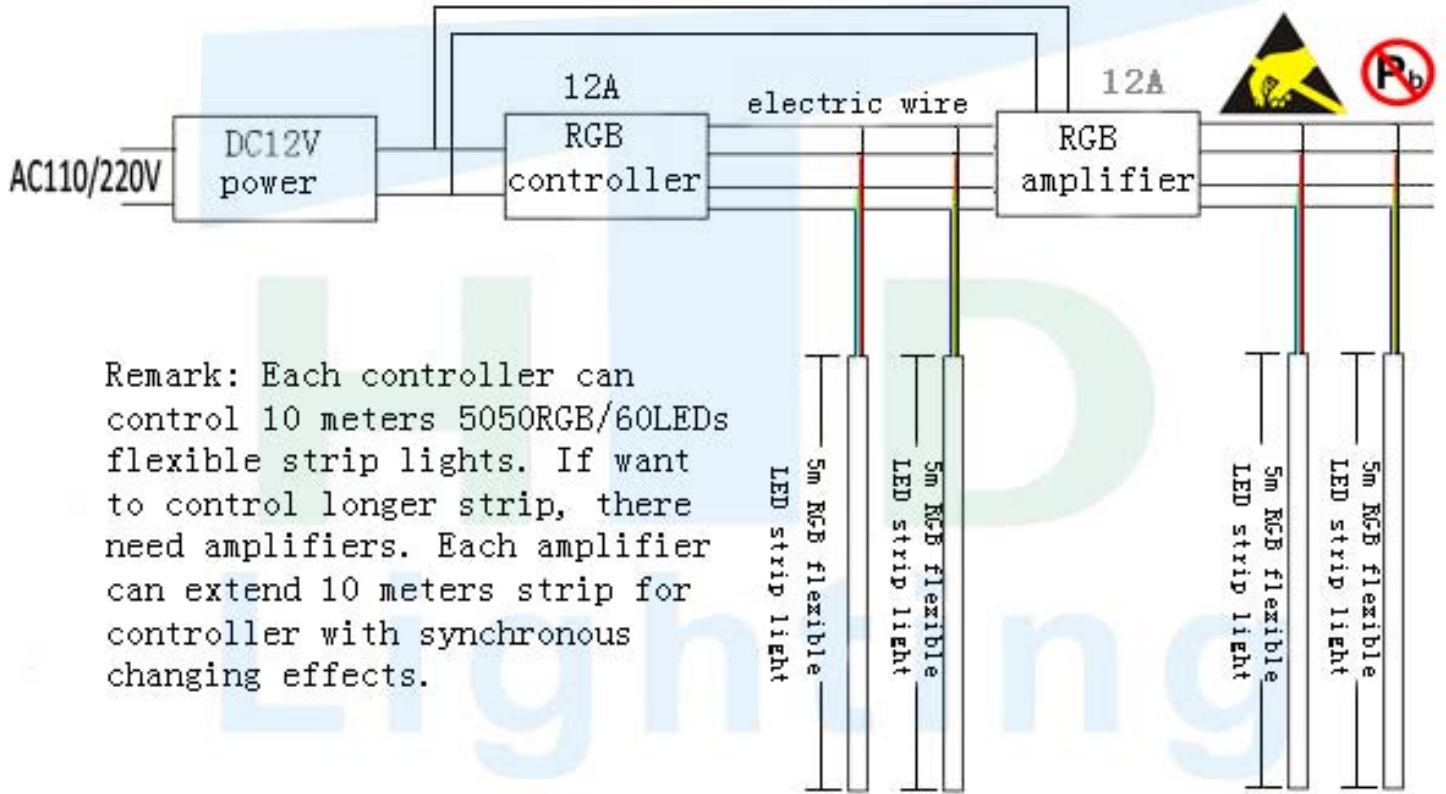
Item	Parameters	Units
Working voltage	DC12/24	V
Working power	34.4	W
Working temperature	-40~60	°C
IP grade	IP20/IP65/IP68	*
Optional light color	1W5050+1RGB5050...	*
Beam Angle	≥120°	*
Light Source Lifespan	≥50000	hrs
Dimensions(Look above Dimension Chart)	1000×10×1.5/2.5/3.5(IP20/IP65/IP68)	mm
Net Weight/5M/Roll IP20	0.130	Kg

**Connection mode (see below)**

A/.DC24V transformer connect 220V/110V AC voltage, then LED controller connection the power output DC24V;

B/.And then, LED strips connection DC12/24V output of Controller(DM/RF/IR/WIFI/DMX...)

# \*LED RGB Strip wiring diagram



Remark: Each controller can control 10 meters 5050RGB/60LEDs flexible strip lights. If want to control longer strip, there need amplifiers. Each amplifier can extend 10 meters strip for controller with synchronous changing effects.



## \*Installation guide

1. Product labeled 3M two-side glue,stick in the need to install the position (please clean surface) can;
2. Installation using fixed installation clipper to buckle.1 meter using 2 clippers and four M3 screws(Some styles just 2pcs).

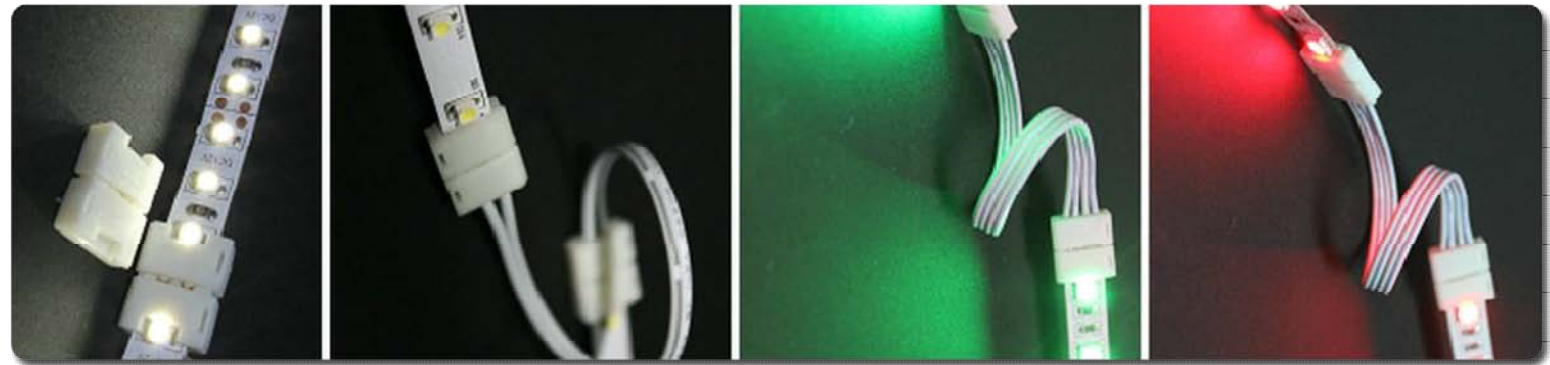
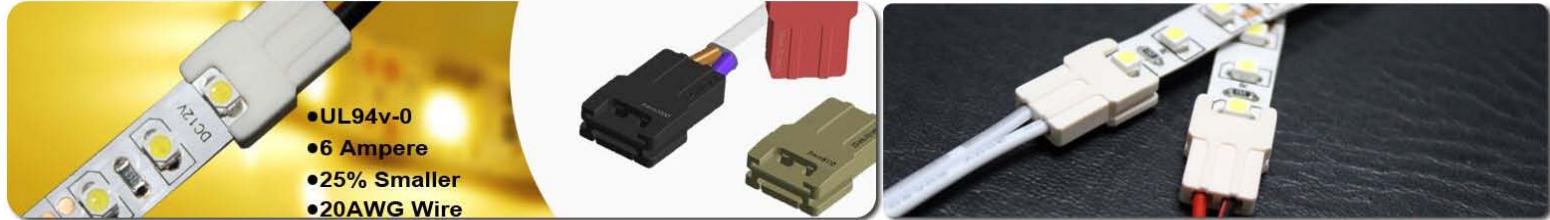
LED Flexible Strip HTD-RGT-5050-144RGB+W

Connect accessories:

Connect accessories optional:

IP20:1 to 1/1 to 4 and Connector with wire

IP65:Just 1 to 1 and Connector with wire



**IP20**

**Non-Waterproof**



**IP65**

**Epoxy glue**



**IP68**

**Soft silicon tube mixed epoxy glue**



**LED Strip light identify**



**LED Flexible Strip HTD-RGT-5050-144RGB+W**

Package:

**Conventional packing:** every 5M/Roll

Carton size: 45cm\*25cm\*32cm.

IP20---0.128kg/roll,45Rolls/Carton/7.76kg

IP68---0.451kg/roll,25Rolls/Carton/11.25kg

IP65---0.256kg/roll,30Rolls/Carton/7.68kg

\*Tips: Above package allow have 10% error

Tape feed roller

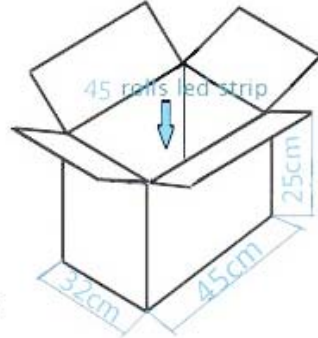


5M Led strip per roll

5M Led strip



Anti-static aluminum foil bag



**\*Other kind of LED flexible strip recommend**

<p>HTD-RGT-5050 -60RGB+W</p> 	<p><b>HTD-RGT-3528-AH240</b></p>  <p>Pure White</p> <p>Cool White</p>	<p>HTD-RGT-5024IC- DMX72RGB</p> 	<p>HTD-RGT-5050-AH60</p> 
<p>HTD-RGT-5050 -AH72RGB</p> 	<p>HTD-RGT-5050 -60RGBW</p> 	<p>HTD-RGT-3014 -A224</p> 	<p>HTD-RGT-5730-112</p> 