



HTD-HW1W36F-1/LED Wall washer lamp

Product description:

HTD-HW1W36F-1 was made by Aluminum shell, MCPCB, High power LED, Lens, pure copper wires (high temperature resistant, cold resistant, UV resistant), silicone glue and Toughened glass.
 This product has high brightness, low power consumption, long life, low voltage, small attenuation, rich colors, etc. Can be achieve effect of flowing water, chase, scanning, etc. Depending on the installation, it was a composition change different color characters, design, etc. Various kinds of dynamic effect.

Widely used in hotel and other building outline and wall washer effect, can be do indoor or outdoor decorative lighting, etc.

***Tips:**

When we computing power should retain 15-20% of the allowance (If input choose DC24V).

Prohibited surpass 10-15pcs per series to use in one parallel.

If 20-30pcs a string to connect kindly ensure that both ends connect DC24V power, achieve the best use effect.

Usually no more than 6 meters about the wiring length for Main line or each series of wall washer lamp.



Product figure:



HTD-HW1W36-1 Wall washer
DMX/RF/IR 5-10M Project distance



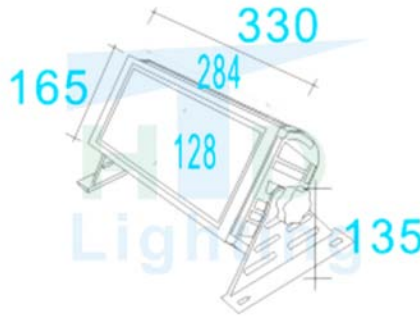
Optical properties:

| No. | Color | LED quantity | lm/1LED | nm | LED Type | Efficiency | Optional |
|---------------|--------|--------------|---------|-------------|-----------|------------|--|
| HTD-HW1W36F-1 | Red | 36 | 30 | 619-635 | Single 1W | ≥0.82 | Inout: DC24V/AC85-240V Color type: Single color/RGB Lens: 8/15/30/45/60/90/120° Control type: Constant lighting/IF/RF/DMX Protection grade: IP44/IP65 |
| | Green | | 70 | 512-528 | | | |
| | Blue | | 50 | 463-475 | | | |
| | Yellow | | 60 | 587-595 | | | |
| | W/WW | | 100 | 2000-20000K | | | |



HTD-HW1W36F-1/LED Wall washer lamp

Product size chart (Unit:mm)



Basic parameter:

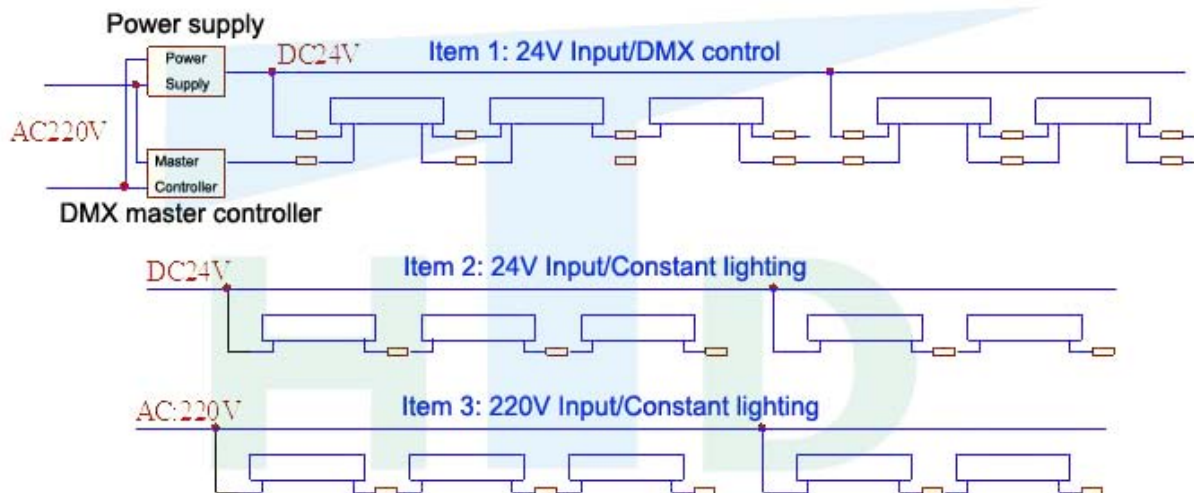
| Item | Parameter | Unit |
|-------------------------|-------------------------------------|------------|
| Working voltage | DC24V/AC85-240 | V |
| Working power | 36±3.6W(Can be make single 3W) | W |
| Operating Temperature | -40 ~60 | °C |
| IP level | IP44/IP65 | IP |
| Appearance size | L330*W165*H90(Not including holder) | mm |
| Control type | Constant lighting/IF/RF/DMX | * |
| Color type | Single color/R G B | * |
| Shine Angle for PC lens | 8/15/30/45/60/90/120° | Can custom |
| Light source life | ≥50000 | Hrs |

Note:

- Above dimensions are given in mm;
- The above dimensions tolerance which is 1mm, unless otherwise specified.

Connection mode (see below)

***LED Wall washer lamp wiring diagram**



***Note:**

- One DMX master controller just can be control 170pcs wall washer lamps, and each 30pcs need connect one repeater(Amplifier); AC220V input model is same with 24V the wiring. DMX wall washer need each lamp have a address code.
- RF or IR control model usually used for 1PCS wall washer lamp to control.
- Must be in strict accordance with the local electrical wire standard choice, it is strictly prohibited to charged operation.





HTD-HW1W36F-1/LED Wall washer lamp

Lamp aging and shipment



Package info
(Just reference)

LED wall washer lamp HTD-HW1W36F-1 2.3kg/PCS(IP65)
Packing Wooden case size: 65CM*65CM*55CM/33KG/10PCS

*LED wall washer lamp-Package diagram



HTD-HW1W36F-1/LED Wall washer lamp

Other similar style diagrams

HH-201
材质:压铸铝
material:aluminium
电器盒内尺寸
driver box size:
Ø82xH30

HH-202
材质:压铸铝
material:aluminium
电器盒内尺寸
driver box size:
Ø82xH30

HH-207
材质:压铸铝
material:aluminium
电器盒内尺寸
driver box size:
Ø82xH30

HH-210
材质:压铸铝
material:aluminium
电器盒内尺寸
driver box size:L158xW66xH33

HH-211
材质:压铸铝
material:aluminium
电器盒内尺寸
driver box size:L218xW98xH45

HH-212
材质:压铸铝
material:aluminium
电器盒内尺寸
driver box size:
L158xW66xH33

HH-213
材质:压铸铝
material:aluminium
电器盒内尺寸
driver box size:
L218xW98xH45

HH-298
材质:压铸铝
material:aluminium
功率power:3W
电器盒内尺寸
driver box size:Ø55xH80
铝板位:Ø70

HH-299
材质:压铸铝
material:aluminium
功率power:6W
电器盒内尺寸
driver box size:Ø75xH80
铝板位:Ø105

HH-2132
材质:压铸铝
material:aluminium
功率power:54W
铝板位PCB size:Ø150
铝基板固定:L34xW34(COB)
电器盒内尺寸driver box size:Ø140x49

HH-2133
材质:压铸铝
material:aluminium
功率power:27W
铝板位PCB size:Ø115
铝基板固定:L34xW34(COB)
电器盒内尺寸driver box size:Ø110x49

HH-226
材质:铝材
material:aluminium

HH-282A
材质:铝材
material:aluminium
电器盒内尺寸
driver box size:Ø82xH30

HH-282B
材质:铝材
material:aluminium
电器盒内尺寸
driver box size:Ø82xH30

HH-2121
材质:压铸铝
material:aluminium
电器盒内尺寸
driver box size:Ø50xH50

HH-206
材质:压铸铝
material:aluminium
电器盒内尺寸
driver box size:
L195xW58xH24

HH-222
材质:压铸铝
material:aluminium
电器盒内尺寸
driver box size:L130xH80xH44

HH-205
材质:压铸铝
material:aluminium
电器盒内尺寸
driver box size:
L130xW80xH44

HH-208
材质:铝材
material:aluminium
电器盒内尺寸
driver box size:
L300xW200xH58

HH-209
材质:铝材
material:aluminium
电器盒内尺寸
driver box size:
L284xW135xH60

HH-280
材质:铝材
material:aluminium
电器盒内尺寸
driver box size:L590xW200xH58

HH-229
材质:铝材
material:aluminium
电器盒内尺寸
driver box size:L300xW90xH53

HH-230
材质:铝材
material:aluminium
电器盒内尺寸
driver box size:L300xW55xH53