



— Concentrate on every lamp —

HTD-853E
LED Inject Module With Lens/Powered By Good quality Chip
5630 SMD 3LED/IP68 Waterproof Ultrasonic encapsulation shell



## Features

1. Adopt TOP 5730 SMD LED, no light spot, with a low lumen recession and good consistency.
2. 5730LED SMD with a low power consumption and high lumen value, 40-50lm/LED, long life-span, maintenance-free.
3. With an ABS plastic injection technique for outer cover, this unique structure grants a better cooling effect. UL 94V0 ABS materials.
4. IP Rate: IP67-68, waterproof
5. DC12V low voltage input, reliable and safe.
6. Adopt series-parallel connection circuit, 20/50pcs per string, if 100pcs connect together must be on the each end of string connect DC12V, each module could be singled out.
7. Viewing angle: 160°
8. 2 years warranty.

## Application

\*This product is applicable for 10-20cm glowing character or any place used for backlight, assist and decorative lighting, advertisement board, light box or local lighting, etc.



## Specification

Model	HTD-853E High performance Module
LED Type	5630 SMDLED
LED BRAND	Chip from Sana (Can be make for Samsung)
Viewing Angle	160°
Luminous Flux (lm)	120-150lm
LED Qty	3pcs
Life Span	50,000 H
Working Voltage	DC12V
Consumption	1.2W
Driving Method	CV
Stand Length In Serial Connection	50pcs
Maximum Length In Serial Connection	100pcs
Shell	White ABS
Dimension	L66mm*W15mm*H8mm
Available Color	W/WW/CW/R/G/B/P/Y
Certification	CE&ROHS
Working Temperature	-40°C~60°C
Store Temperature	-50°C~70°C
IP Degree	IP67-68

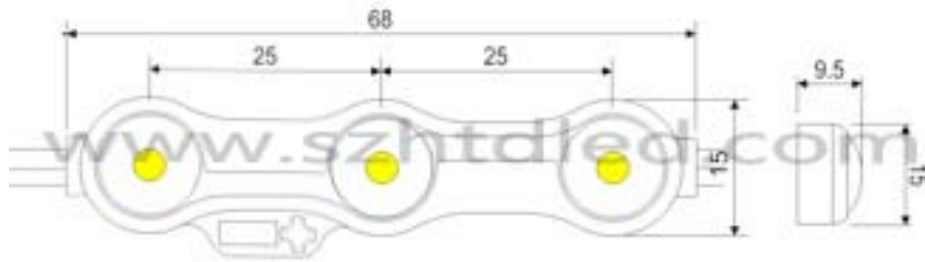
## Package

Every 50pcs per a string, every 2 string in an anti-static bag, 2000pcs per a carton box.  
 Carton size: 50cm\*35cm\*31.5cm/48cm\*48cm\*28cm  
 Net Weight: 10g/pcs; 500g/string; 21kg/carton.

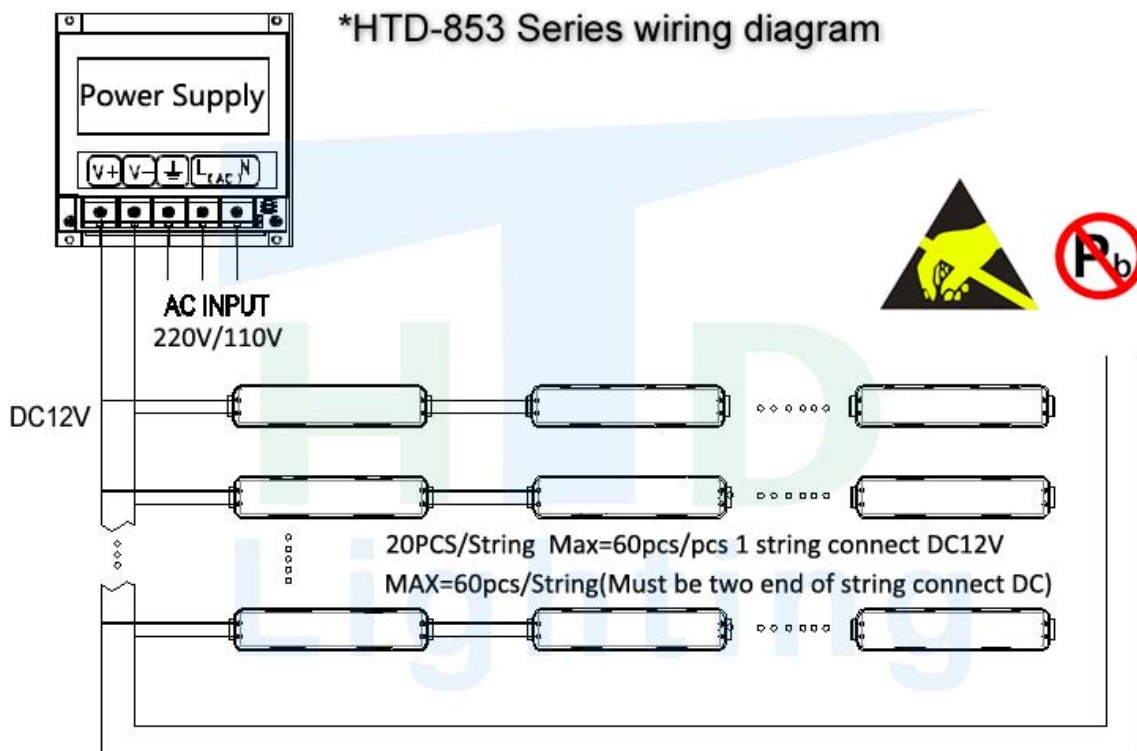
\*LED Module/Pixel/Point light source-Package diagram



## Dimension Diagram (mm)



## Connection Diagram



### Remarks

1. monochromatic light source product standard series mode is: module 50 / string, Absolutely does not allow super series, so as not to cause pressure drop caused by the uneven brightness of the LED and the wire hot;
2. Power supply and light source should not exceed the length of 6 meters, in strict accordance with local electrical standards to choose the wire;
3. In the calculation of the amount of power, be sure to leave extra 10-20% not to use, to ensure the life of the power supply;
4. At the end of each string at the same time the electricity will effectively prevent the pressure drop caused by the uneven brightness of light; if the two ends of the power can exceed 1 times the string and use: exposed lights a bunch of 100PCS.
5. Do not operate with power, that is not allowed to live maintenance and connection LED light source; insulation gloves should be worn as far as possible.

