



**3D LED Full color Meteor shower light\*HTD-M100-64L-P32 Double side model**

**Product description:**

**HTD-M100-64L-P32** was made by PC tube shell, PCB and 3Pins wires connectors (high temperature resistant, cold resistant, UV resistant), including 5050RGB high brightness LED, Control IC **UCS1912**, can achieve high water, chase, scanning the **3D** effect. According to different installation can change the color of different characters, such as design of dynamic effect, and it has convenient installation, high brightness, the safe and energy-saving, long life, small attenuation characteristics, and is suitable for imitate the meteor across the picture, alternative old the neon signs, can choose according to the customer request from the lamp.

- \*Tips:**  
 When we computing power should retain 20% of the allowance.  
 Prohibited surpass 10pcs pcer string to use in one parallel.  
 If 20pcs a string to connect, kindly ensure that both ends connect DC12V power, achieve the best use effect.  
 Usually no more than 6 meters about the wiring length for Main line or each string of pixel light.



**Product figure:**



**Optical properties:**

No.	Color	LED quantity	(lm/1LED)	nm	LED Type	CRI	Pixel number
HTD-M100-64L-P32	Red	64	6	619-635	SMD RGB5050	>72	32 pixels SPI (High-end products)
	Green		15-16	512-528			
	Blue		9	463-475			

**HTD-M100-64L-P32 Double side Full color Meteow shower light parameter:**

Item	Parameter	Unit
Working voltage	12	VDC
Working power	23	W
Operating Temperature	-40 ~60	°C
IP level	IP40-IP65	IP
Appearance size	L1000*φ20(Per 125mm 1CUT on PCB)	mm
Connector wire length	19-20mm/Input/Output	mm
Light source life	≥50000	Hrs
Shine Angle	≥360°	Transparent/Milky optional tube
Weight/PCS	0.142	kg



3D LED Full color Meteor shower light\*HTD-M100-64L-P32 Double side model

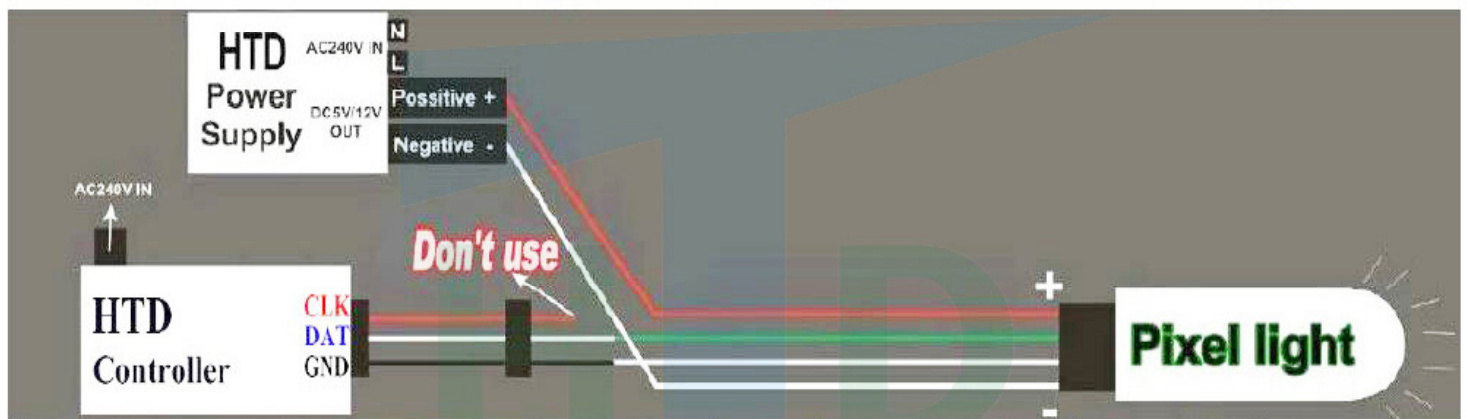
Note:

1. Above dimensions are given in mm;
2. The above dimensions tolerance which is 0.1 mm, unless otherwise specified.

Connection mode (see below)

# \*Full color wiring diagram

The light red wire connect power +, the light white wire connect power -



The light green wire connect controller DAT  
The light white wire connect controller GND

In one string two ends the first pixel have 4PIN wires,  
The middle pixels all is 3PIN wires, 20pcs/string.

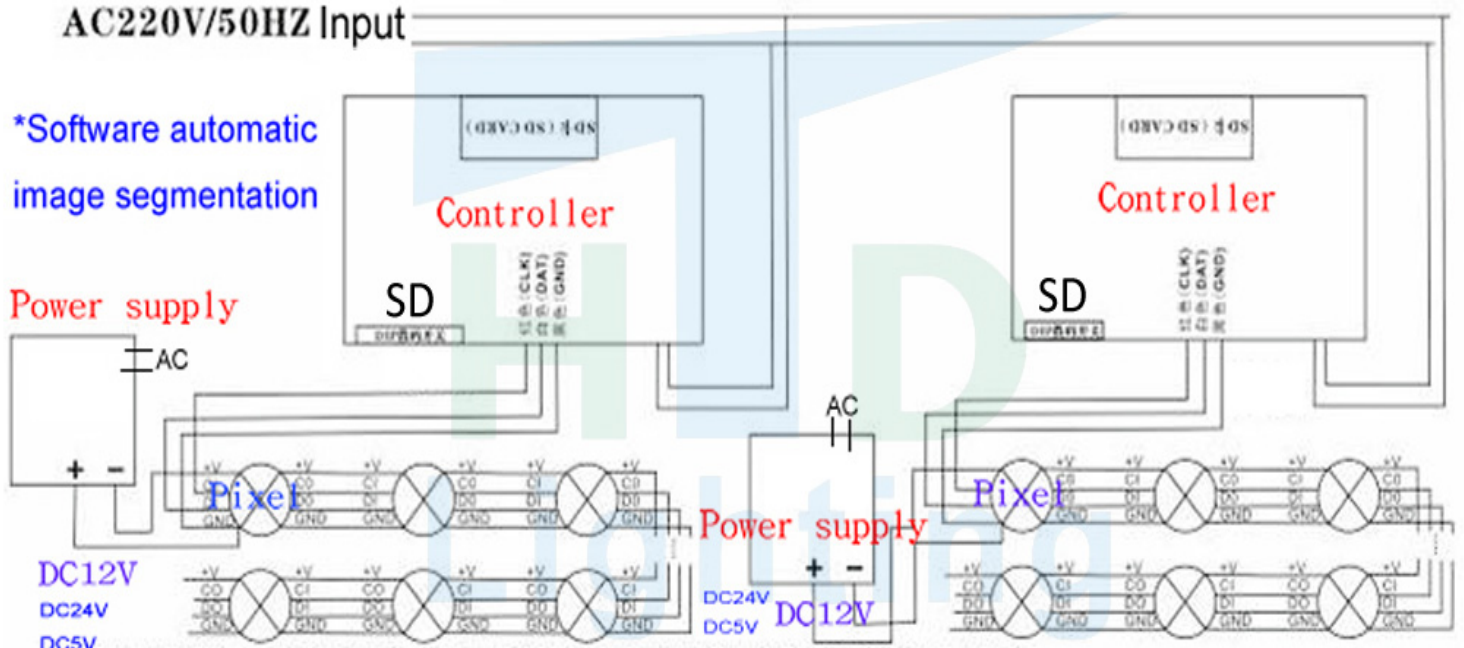
\*Note: If you need a controller use manual, please consult the relevant business personnel. (Different controller will have different connect way)



AC220V/50HZ Input

\*Software automatic image segmentation





Power supply





**3D LED Full color Meteor shower light\*HTD-M100-64L-P32 Double side model**

**The controller type simple introduction:**

	<p align="center"><b>HTD-1000</b> Use SD program drive</p>	<p align="center">Digital full color synchronization</p>	<p align="center">Control 1000 Pixel lights</p>	<p align="center">AC220V/110V</p>
	<p align="center">HTD-2048 Use SD program drive</p>	<p align="center">Digital full color synchronization</p>	<p align="center">Control 2048 lights</p>	<p align="center">AC220V/110V</p>
	<p align="center">HTD-8000C Use SD program drive</p>	<p align="center">Master control machine</p>	<p align="center">Control 8000lights</p>	<p align="center">AC220V/110V</p>
	<p align="center"><b>HTD-200K</b> Use SD program drive or PC</p>	<p>Optional 220V/110AC Input Can computer real-time broadcast 8 outlets and control <b>4096</b> points.<b>(But can control 8192pcs 6803IC)</b> <b>Built-in router can be connect to used in series for each.</b></p>		

DIP switch "ON" under the corresponding speed, or the speed of the corresponding invalid; if more than one DIP switch while pressing at the maximum speed of the remaining invalid; any switch is pressed at the SD card set speed to play, power-controller comes with a pattern initial speed of 20 frames/sec.

If need DMX control, will need Match 1 controller to 1 decoder, the control console need match 1pcs at least.

**Packaging info: Forecasted ↓**

Each 20pcs per string packed by pearl cotton, 100pcs/CTN/10 pearl cotton packages;  
Carton size: 110cm\*23cm\*23cm.  
Weight: 140g/PCS; 15kg/CTN.

\*LED High-end Meteor shower light-Package diagram



LED Meteor shower light



10pcs a Bubble cotton package



Carton Package

HTD Engineering Departmen 2019 In ShenZhen/Fictions

Shenzhen HongTai world lighting Co., LTD.

ADD: Third Floor, No.57 building B, Tangkeng industrial zone, Baoan Shiyan Shenzhe, GD China.

Tell: +86 755-23002430/23002431

Fax: +86 755-23001713

Official Website: [www.szhtdled.com](http://www.szhtdled.com)

Company E-mail: [szhtdled@szhtdled.com](mailto:szhtdled@szhtdled.com)



PS: Save a tree. Kindly don't print this document unless it's really necessary.